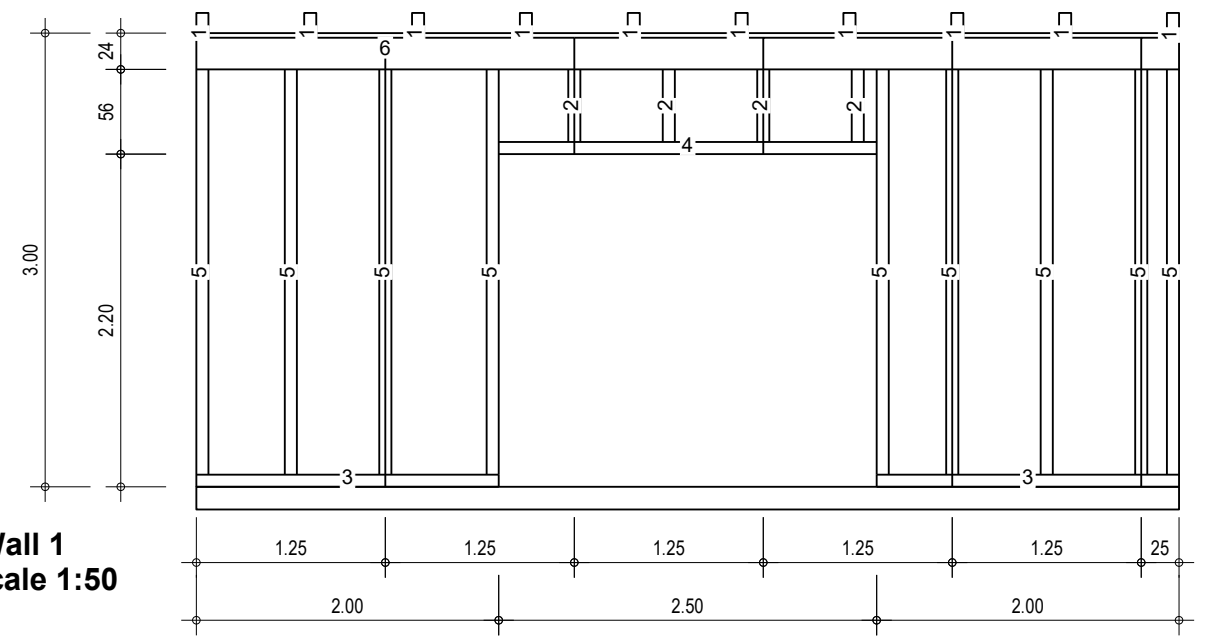
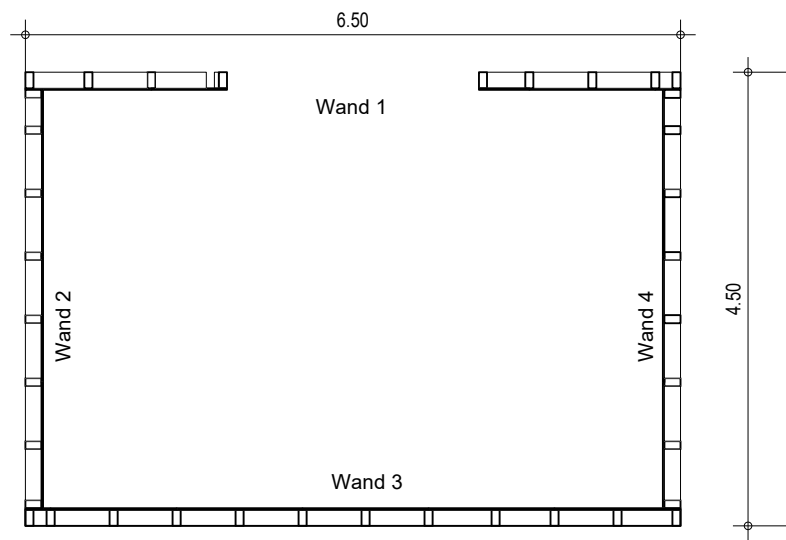


Rafters: 8/16cm, Kerf 3cm; e < 75cm  
 Purlin: 16/24cm  
 Wallstructure: 8/16cm  
 inside OSB 15mm

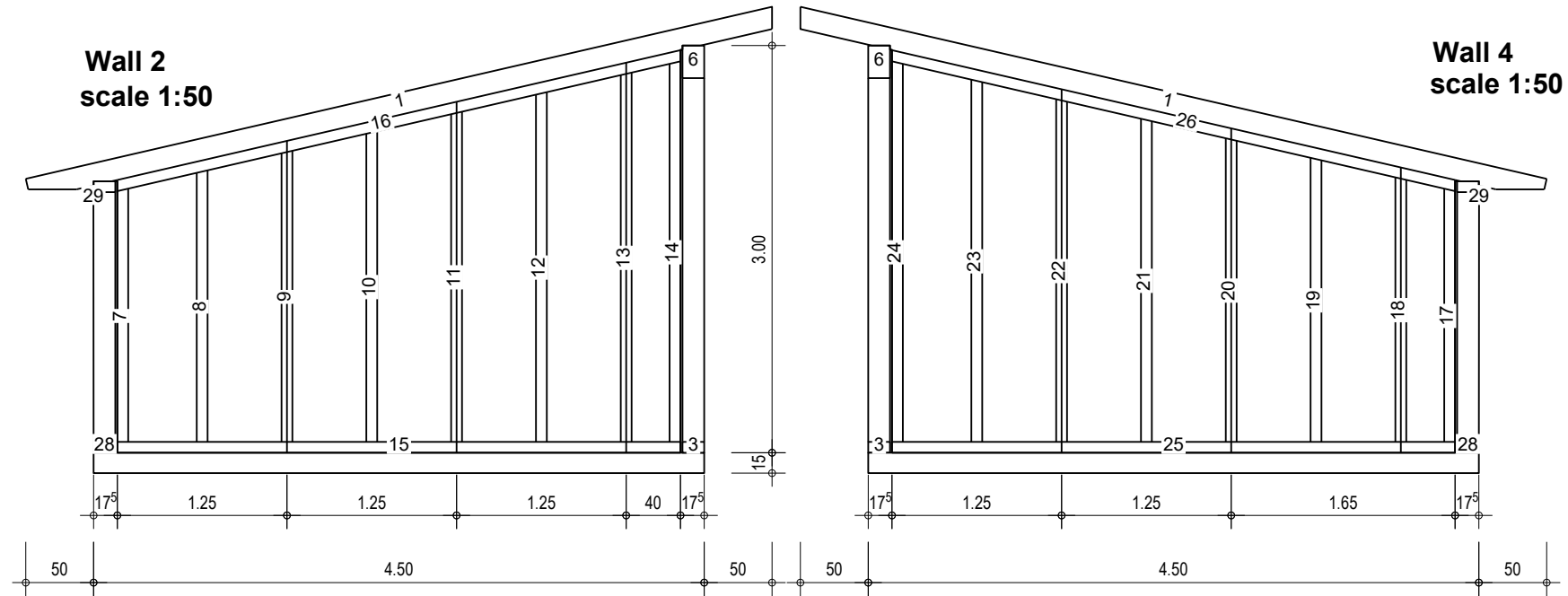
**Rafters**  
 scale 1:75



**Wall 1**  
 scale 1:50

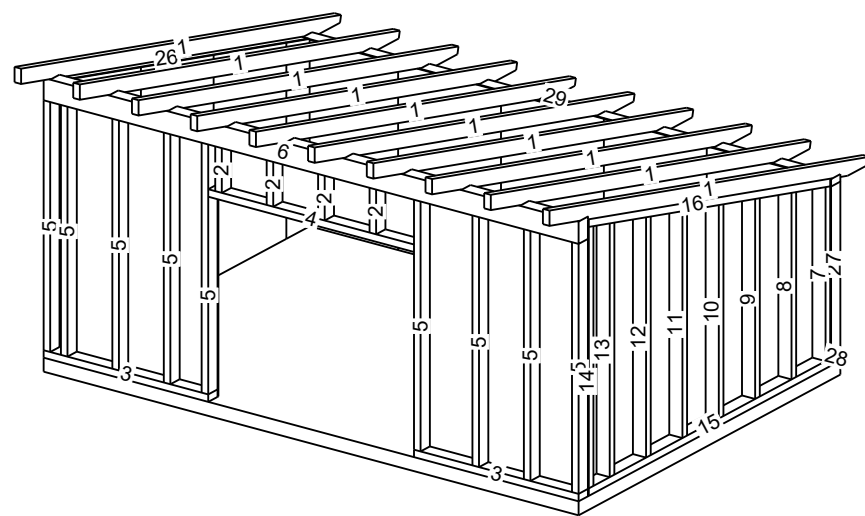


**Walls**  
 scale 1:75



**Wall 2**  
 scale 1:50

**Wall 4**  
 scale 1:50



**Wall 3**  
 scale 1:50

